

# TWO-LINE ELECTRIC STOP-COCK **EUK**

## APPLICATION

Electrical driven cocks are part of two-line central lubrication. They are inserted into the main line after the the lubrication pump outlets or at the beginning of the ancillary branches of two-line lubrication circuit and are used to break the lubricant delivery simultaneously in both pipe lines of the main or ancillary branch of lubrication circuit. They are used to divide the long main line sectors and separate ancillary branches of lubrication circuits by the need of different operation cycles of individual parts of lubrication circuit, for the partial break during the reparations of technological equipment.

## DESCRIPTION

Stop-cock consists of a distribution block fixed on a base plate in which is a lapped distribution piston. On the front of the piston is a drift fork on the back is a pointer which operates an end-line line switch. Piston movement is ensured by a continuous high torque electro motor which guarantees safe run also in difficult working conditions e.g. low environmental temperature or high consistency and viscosity of lubricant.

A transformer, rectifier and protection is situated in the box which is fixed by screws to the base plate. The whole equipment is provided with a metal cover with connections for current supply and M16x1.5 holes in the distribution block for inlet and outlet connection.

In the case where an EUK is inserted into the filling piping (one inlet and one outlet), the inlet is not used and outlet is plugged with a plug with M16x1.5 mm thread.

## OPERATION

The rotating movement of the motor is transmitted through an eccentric with a bearing and stirrup to the straight movement of the piston. As soon as it has rotated sufficiently from the original position ( $0^{\circ} - 180^{\circ}$ ) or ( $180^{\circ} - 360^{\circ}$ ) the contact, 3-4 or 1-2, of the end-line switch operates and stops the motor. The signal for the repeated run (transposition of the position) is activated by outer impulse (of 1 sec. duration min.) e.g. from the driving system of the lubrication system. In regard of short time of run, the piston overcomes the critical places with small covering by high speed. This avoids early wear of sealing areas.

## SERVICE AND MAINTENANCE

EUK cocks are mounted in the horizontal position by four M8 anchor screws. The anchor screws, mounting holders, squares, etc. are not part of delivery.

After mounting the cock in the designated place the inlet pipe-line is connected and the lubricant passed through the pipe-line. When the lubricant exits without air bubbles, the outlet pipe line can be connected. During mounting, the individual pipe-lines of the two-line lubrication circuit cannot be exchanged or crossed. The connection to the electric supply is done according to the electro-wiring diagram while observing the relevant standards for electric equipment. EUK Cocks do not need any maintenance or service. In permanent operation it is recommended to check the connection of the pipe-line of the lubrication circuit for leakage once every three months .

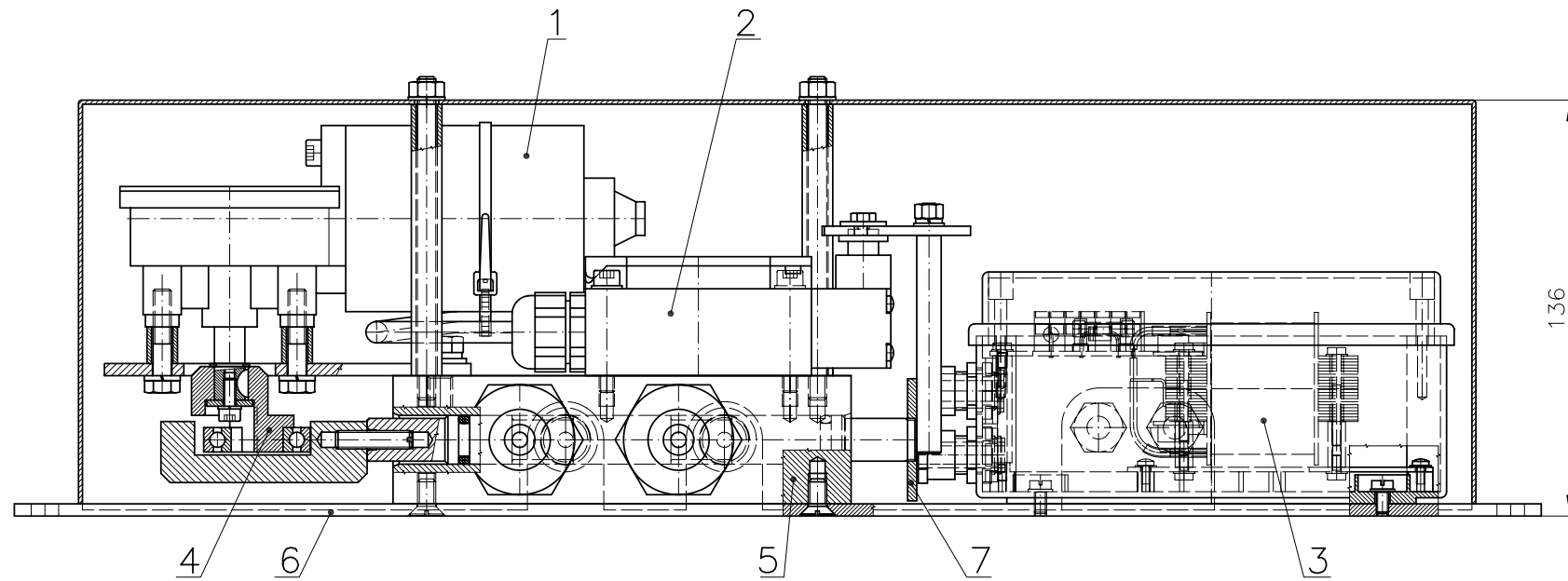
If the cock is under pressure in one position more than 200 operational hours, it is recommended to switch-over for a short time (about 2 sec.) from one position to the other (this protects slider aggradation caused by dirt).

**TECHNICAL DATA**

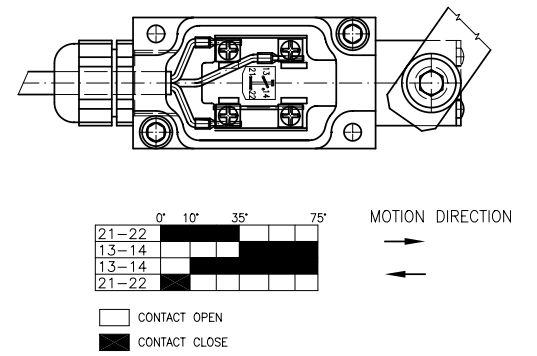
Maximum working pressure	400 bar
Working pressure	350 bar
Number of inlets	2
Number of outlets	2
Inlet pipe union	M16x1.5 mm
Outlet pipe union	M16x1.5 mm
Time of run /transposition/	0.5 s
Angle of rotation	180 <sup>0</sup>
Turning moment	20 Nm (2 kpm)
Operational voltage	24V DC, 230V AC, 50 Hz, 1 A
Coverage	IP 54
Electric motor	24V DC, 1 A, 24 W
Temperature of working environment	- 25 to 80 <sup>0</sup> C
Weight	13 kg
Assembly position	horizontal

**NOTE**

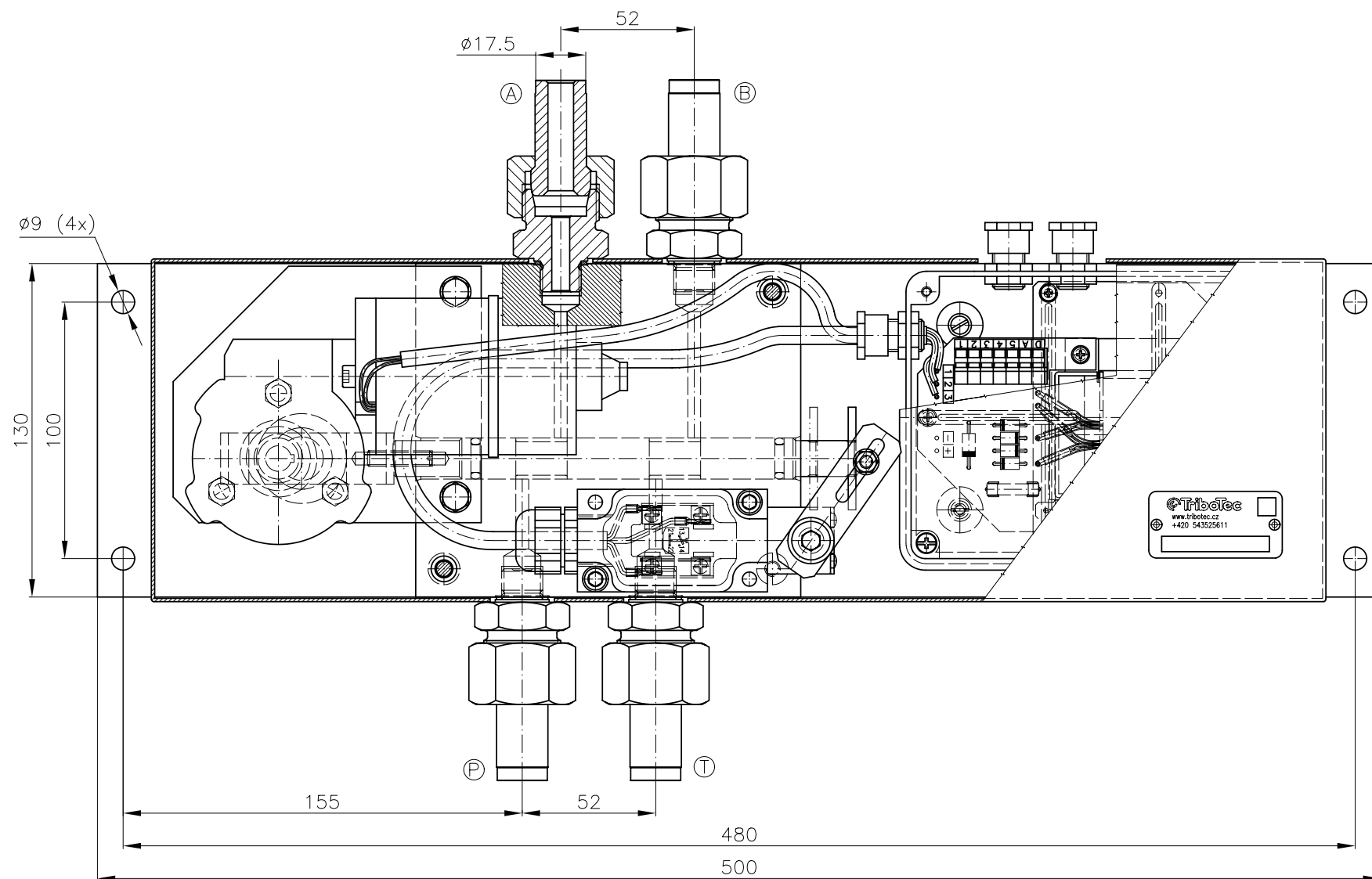
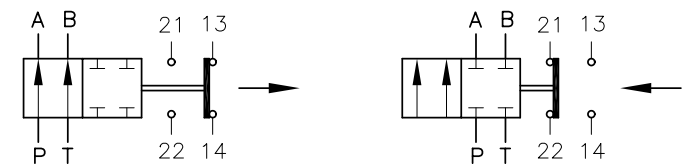
Upon customer request the electric stopcock can be provided with a second terminal switch that signals the final position of the piston. This position is selectable: cock either open or closed. The outlets of the switch end in a terminal box, to which the outlet of the signaling device on the machine is connected and is guided from the box through a bush (brown feed cable).



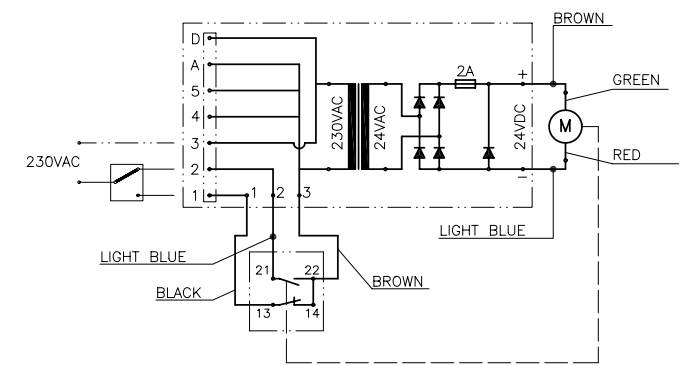
DETAIL SWITCH WIRING



POSITION OF TERMINAL SWITCH CONTACTS SWITCHING



ELECTRIC WIRING SCHEMA



Pos	Name
1	Electric motor
2	Terminál switch
3	Power supply section
4	Feed cam
5	Distributor body
6	Base plate
7	End stop

Name	ELECTRIC STOP-COCK	s.r.o. Košuličova 4 Brno www.tribotec.cz +420 543 425 611
Type	EUK	
Code		