

# TWO-LINE ELECTRIC STOP-VALVE EUV

## APPLICATION

Electrically driven six-channel distributors are a part of two-line central lubrication circuits. They are placed into the main line of two-line central lubrication circuits (eventually secondary lines) and they are made for special cases of remote bifurcation of pipeline system into two mutually independent directions (lines) which are working in different lubricating mode and they have a different needs on lubricating circuit timing. EUV ensures redirecting of lubrication from one into another line of two-line lubrication circuit. For example, when lubricating one group of lubricating points is in progress (one part of technological equipment), in case cutting off lubricating for another group of lubricating points (other part of technological equipment). Then EUV could be used for placing a standby lubricating unit into a two-line lubrication circuit.

## DESCRIPTION

Six-channel distributor consists of a distribution block fixed on a base plate in which is a lapped distribution piston. On the front of the piston is a drift fork on the back is a pointer which operates an end-line line switch. Piston movement is ensured by a continuous high torque electromotor which guarantees safe run also in difficult working conditions e.g. low environmental temperature or high consistency and viscosity of lubricant.

A transformer, rectifier and protection is situated in the box which is fixed by screws to the base plate. The whole equipment is provided with a metal cover with connections for current supply and G3/8 tapped holes in the distribution block for inlet and outlet connection.

## OPERATION

The rotating movement of the motor is transmitted through an eccentric with a bearing and stirrup to the straight movement of the piston. As soon as it has rotated sufficiently from the original position ( $0^{\circ} - 180^{\circ}$ ) or ( $180^{\circ} - 360^{\circ}$ ) the contact, 3-4 or 1-2, of the end-line switch operates and stops the motor. The signal for the repeated run (transposition of the position) is activated by outer impulse (of 1 sec. duration min.) e.g. from the driving system of the lubrication system. In regard of short time of run, the piston overcomes the critical places with small covering by high speed. This avoids early wear of sealing areas.

## SERVICE AND MAINTENANCE

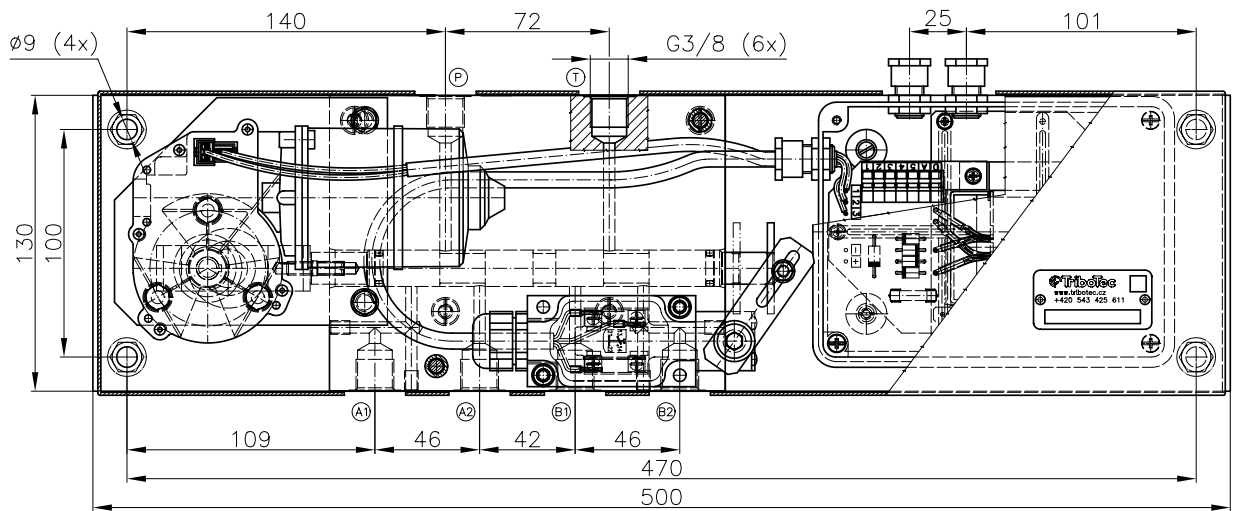
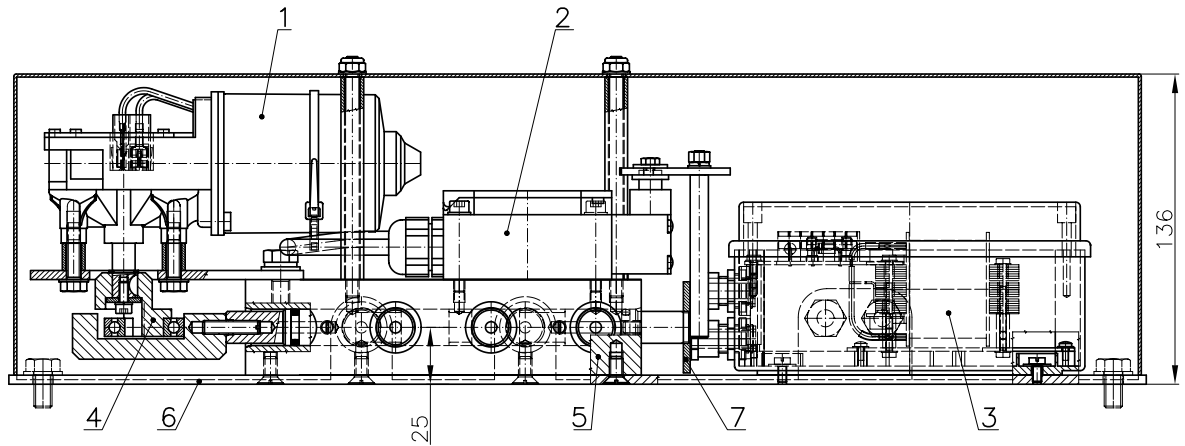
EUV stop-valves are mounted in the horizontal position by four M8 anchor screws. The anchor screws, mounting holders, squares, etc. are not part of delivery.

After mounting the cock in the designated place the inlet pipe-line is connected and the lubricant passed through the pipe-line. When the lubricant exits without air bubbles, the outlet pipe line can be connected. During mounting, the individual pipe-lines of the two-line lubrication circuit cannot be exchanged or crossed. The connection to the electric supply is done according to the electro-wiring diagram while observing the relevant standards for electric equipment. EUV stop-valves do not need any maintenance or service. In permanent operation it is recommended to check the connection of the pipe-line of the lubrication circuit for leakage once every three months .

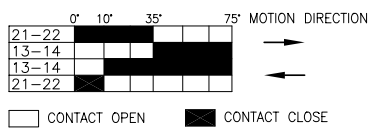
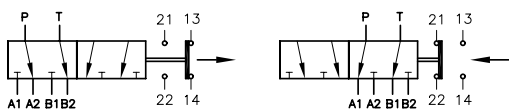
If the stop-valve is under pressure in one position more than 200 operational hours, it is recommended to switch-over for a short time (about 2 sec.) from one position to the other (this protects slider aggradation caused by dirt).

## TECHNICAL DATA

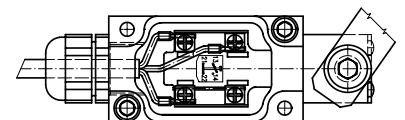
Maximum pressure	400 bar	
Working pressure	350 bar	
Number of inlets	2	
Number of outlets	4	
Inlet pipe union	G3/8	
Outlet pipe union	G3/8	
Time of run /transposition/	0,5 s.	
Angle of rotation	180 <sup>0</sup>	
Turning moment	20 Nm (2 kpm)	
Operating voltage	230V AC, 50 Hz, 1 A 24V DC, 1A	
Coverage	IP 54	
Electric motor	24V DC, 1 A, 24 W	
Lubricant	grease	max. NLGI – 2
	oil	min. 50 mm <sup>2</sup> . s <sup>-1</sup>
Temperature of working environment	- 25 to 80 <sup>0</sup> C	
Weight	14,5 kg	
Assembly position	horizontal	



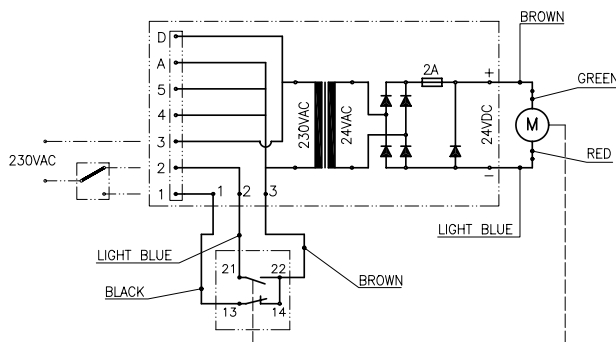
POSITION OF TERMINAL SWITCH CONTACTS SWITCHING



DETAIL SWITCH WIRING

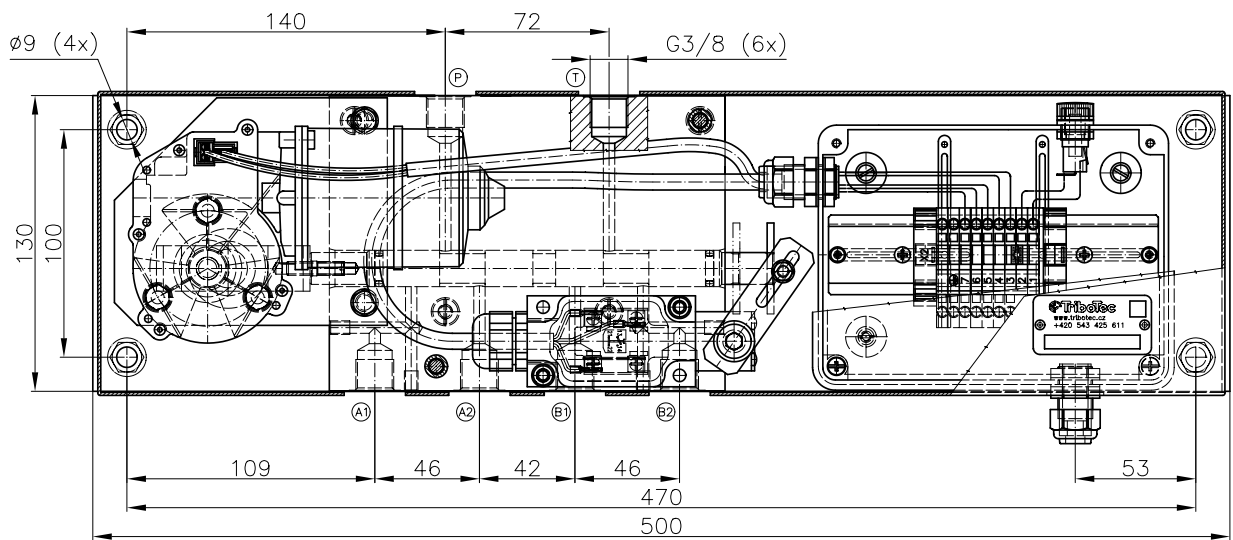
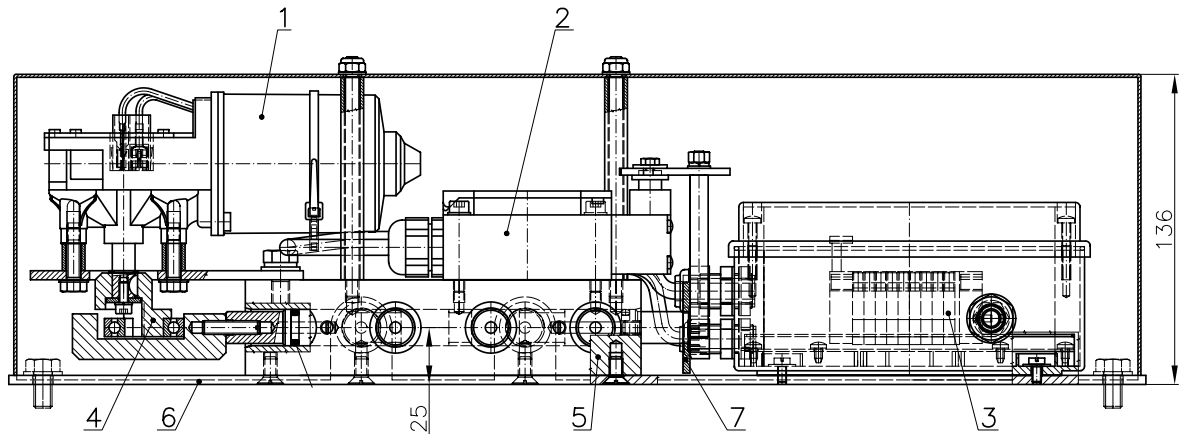


WIRING DIAGRAM

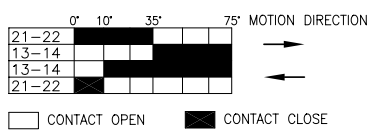
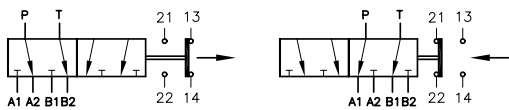


Pos	Name
1	Electric motor
2	Terminal switch
3	Power supply section
4	Feed cam
5	Distributor body
6	Base plate
7	End stop

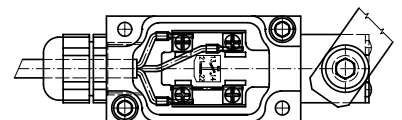
Name	TWO-LINE ELECTRIC STOP-VALVE	<b>Tribotec</b> s.r.o. Košuličova 4 Brno www.tribotec.cz +420 543 425 611
Type	EUV 230VAC-G3/8	
Code	9 52 0753	



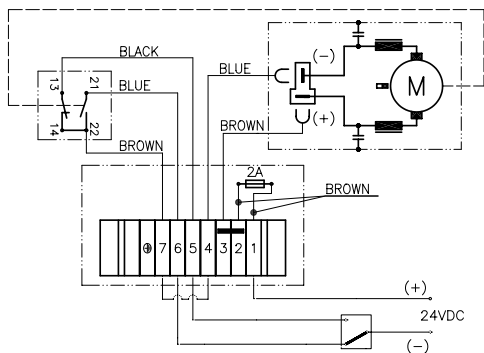
POSITION OF TERMINAL SWITCH CONTACTS SWITCHING



DETAIL SWITCH WIRING



WIRING DIAGRAM



Pos	Name
1	Electric motor
2	Terminal switch
3	Power supply section
4	Feed cam
5	Distributor body
6	Base plate
7	End stop

Name	TWO-LINE ELECTRIC STOP-VALVE	<b>Tribotec</b> s.r.o. Košuličova 4 Brno www.tribotec.cz +420 543 425 611
Type	EUV 24VDC-G3/8	
Code	9 52 0831	