

# TWO-LINE TERMINAL PRESSURE SWITCH

# DKS

## APPLICATION

The terminal switch is a control element of the two-line lubrication system. On one hand it enables the pressure at the end of the two-line lubrication system lubricating circuit to be checked and on the other it ensures the automatic operation of the system.

Terminal switches DKS are supplied in variant executions. Switch DKS 2 is fitted with one pressure gauge for both the lines and special welding fitting for tube diam. 28x4 mm. Switch DKS 3 is fitted with two pressure gauges, one for each line and is modified for a through-way connection - i.e. before the last two-line distributor, by means of standard fitting G 3/8.

## DESCRIPTION, OPERATION

The main part of terminal switch is body with two fittings for connecting to the pipework, further a distributing piston that connects the lubricant from either inlet to a pressure gauge and pressure relay. Then pressure relay, depending on the pressure within the circuit to which it is connected and on the set pressure, closes or opens the electrical circuit.

## SERVICE AND MAINTENANCE

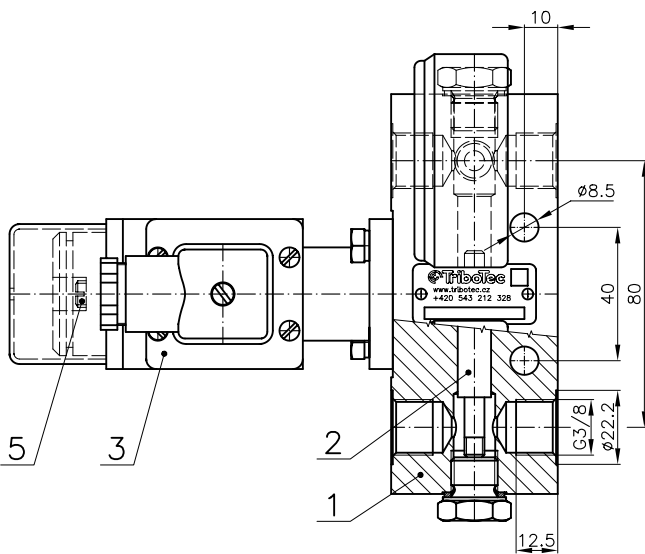
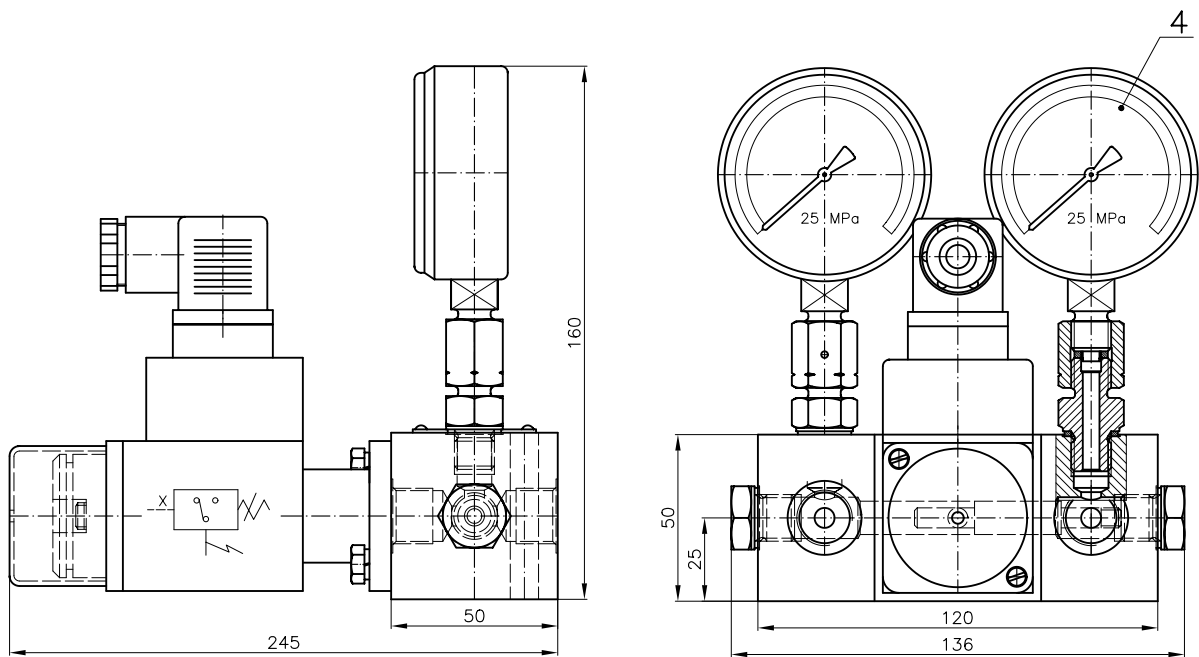
Connect the terminal switch to the pipework. This connection supports the switch so it does not require any further anchoring. Connect the electric circuit in accordance with the project and valid current regulations. Adjust the pressure of lubricant under which the electric circuit contacts should close or open. These limit switch contacts must close before those of the limit switch on the lubrication pump by-pass valve. This difference is shown as the difference of the closing pressures.

The closing pressure should be set on the pressure relay and its value should be calculated as follows:

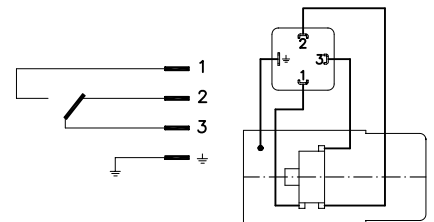
Subtract the piping losses between the lubrication pump and the limit switch, and a further 30 bar, from the operating pressure. The piping losses can be measured with the pressure gauge at the lubrication pump when the piping at the limit switch is disconnected, the lubricant flowing freely from the end when being pumped. The limit switch does not require any other attention or maintenance.

## TECHNICAL DATA

Maximum pressure	320 bar	
Controls range of working pressure	10 to 100 bar; 40 to 320 bar	
Nominal voltage	250V AC, 50 Hz, 24V DC, IP 65	
Number of inlets	2	
Inlet pipe union	G3/8 (M16x1.5)	
Lubricant	grease	max. NLGI - 2
	oil	min. 50 mm <sup>2</sup> s <sup>-1</sup>
Temperature of working environment	- 20 to 80 °C	
Weight	3.8 kg	

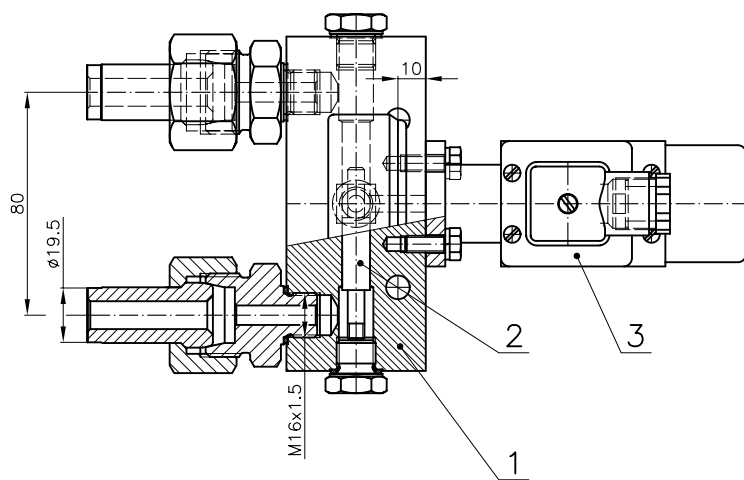
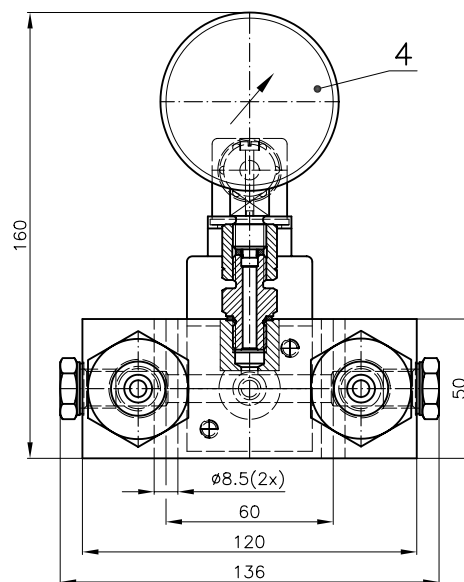
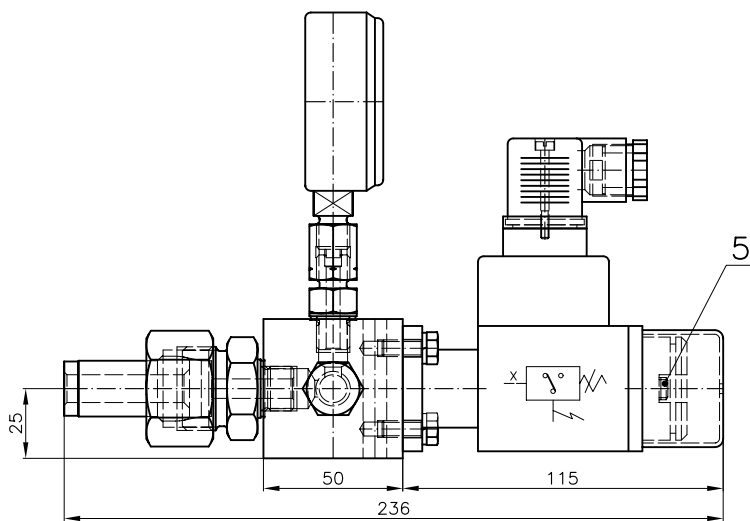


#### ELECTRIC WIRING DIAGRAM

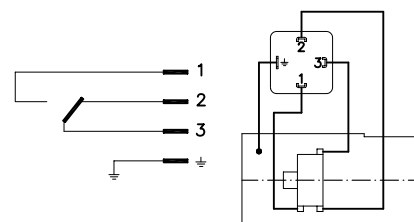


Pos	Name
1	Switch body
2	Servo piston
3	Compressive relay
4	Pressure gauge
5	Regulating screw

Name	DUAL-LINE TERMINAL PRESSURE SWITCH	<b>Tribotec</b> s.r.o. Košuličova 4 Brno www.tribotec.cz +420 543 425 611
Type	DKS 3	
Code	9 52 0648	



#### ELECTRIC WIRING DIAGRAM



Pos	Name
1	Switch body
2	Servo piston
3	Compressive relay
4	Pressure gauge
5	Regulating screw

Name	DUAL-LINE TERMINAL PRESSURE SWITCH	<b>Tribotec</b> s.r.o. Košuličova 4 Brno www.tribotec.cz +420 543 425 611
Type	DKS 2	
Code	9 52 0464	