

# **INTERLUBE**

*Leaders in Lubrication Solutions*



## LUBEPLUS 'E' Centralised Lubrication System Multi-Industry Applications



*Interlube Systems Ltd - maximising industrial performance world-wide...*

---

## **LUBEPLUS E - ELECTRICALLY OPERATED SINGLE LINE METERED SYSTEM**

---

This is a low cost, compact system which has been used successfully for many years in the small to medium size machine range. The pump supplies up to 20 flow units, calibrated to apportion oil to the specific bearing requirements.

Lubepus 'E' is a compact automatic cyclic lubricator designed for use with the Interlube single line flow unit system.

**Recommended Lubricant: Oil 10-1800 cSt.  
Operating Pressure: 3.5 bar max.**



---

### **OPERATION**

---

The pump is a compact (adjustable discharge) self-contained, electrically operated automatic lubricator complete with integral float switch. The pump operating lever mechanism is driven by a continuous running electric motor which operates a spring loaded discharge piston at various set time intervals (see cycle times). When the lever arm mechanism reaches the maximum point of travel the piston is released and discharges a preset volume of lubricant into the system. Discharge control is obtained by varying the effective output stroke of the piston, which is externally adjustable between 0.25ml and 2.5ml.

---

### **MANUAL PRIMING FEATURE**

---

The pump is also fitted with a "priming handle" connected to the discharge piston which can be used to manually operate the system after completing the installation or at intervals when the machine has been inoperative for a period of time.

A patented 'lost motion' mechanism obviates restriction of the upward stroke of the piston should the handle be inadvertently depressed during operation.

## CONDITION MONITORING

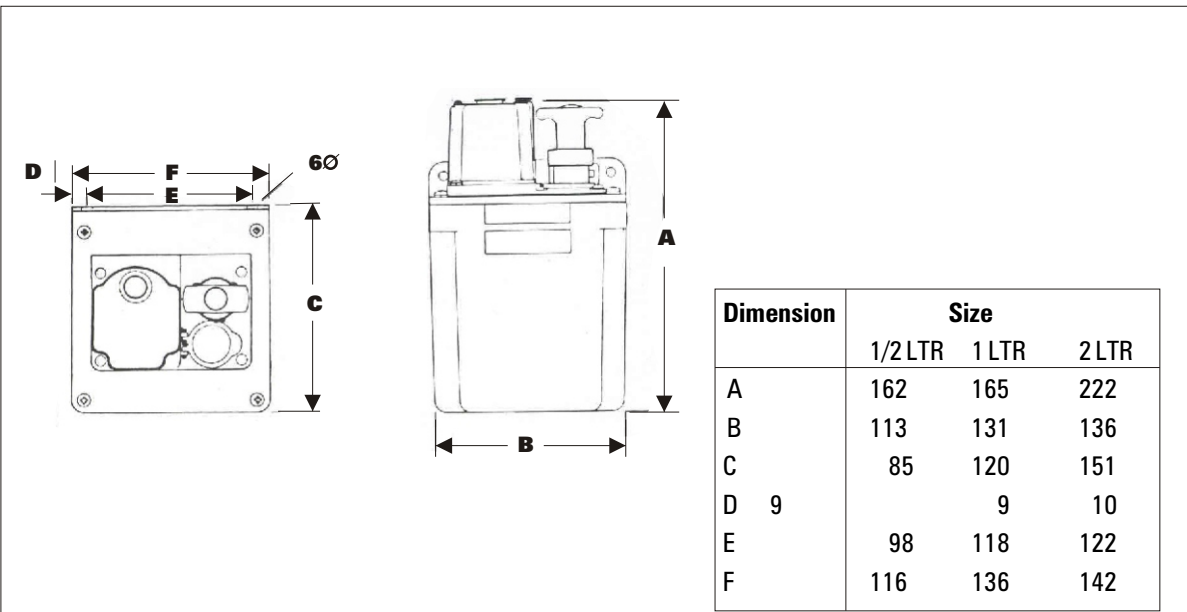
Warning of pressure failure can be achieved by installing a pressure switch in the system which can be interfaced with the general machine control. The integral float switch monitors low level lubricant in the transparent reservoir. Typically Lubepius 'E' systems are capable of serving up to 15-20 lubrication points depending on their size and usage.

For larger or variable control systems please refer to the Lubepius GX literature or alternatively contact our customer Services Department on +44 (0)1752-676000.

### TECHNICAL DATA

Recommended Lubricants	10-1800 Centistokes oil
Output Volume	0.25ml - 75ml/hour (to order)
Output Stroke	1.25ml - 2.5ml adjustable
Operating Pressure	4 bar nominal
Operating Voltages	12, 24, 48 115/230V 50Hz 50/60 Hz (24 V DC available upon request)
Power Rating	4 VA
Level Switch	Supplied Normally Closed Special order for Normally Open
Rating	Contact Capacity watts - 50W Max Volts - 150 VAC/200 VDC Max Amps - 200 m A Max
Reservoir capacity	0.5, 1.0 & 2.0 litre
Output Connection	1/8 BSP with compression fitting for 4mm O/D tube
Electrical Connection	M20 x 1.5 entry

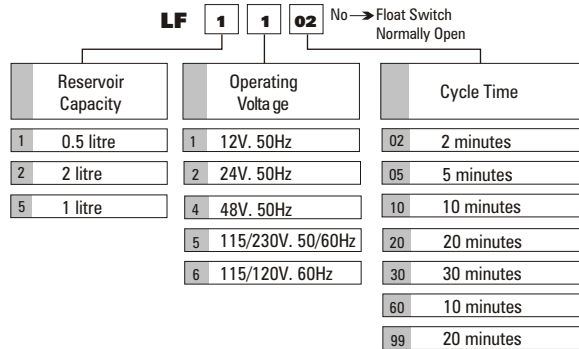
## DIMENSIONS



## ORDERING METHOD

Before selecting the model number it will be necessary to decide the mains operating voltage, the output required and the free delivery cycle time, referring to the list of model numbers.

Example shown is ½ litre reservoir, 12v 50HZ. Operating voltage with a 2 minute lubrication cycle, with an adjustable lubricant output of 7.5 to 75ml/hour.



**Interlube Systems Ltd**  
 St Modwen Road, Parkway Industrial Estate  
 Plymouth, Devon, England PL6 8LH  
 Tel: +44 (0)1752 676000  
 Fax: +44 (0)1752 676001  
 e-mail: [info@interlubesystems.com](mailto:info@interlubesystems.com)  
 Web Site: [www.interlubesystems.com](http://www.interlubesystems.com)



[www.interlubesystems.com](http://www.interlubesystems.com)  
 HELP DESK · PRODUCT RANGE · LITERATURE REQUEST

For advice on which product is most suitable for your needs - visit our web site from where you can e-mail us your requirements. Our Help Desk will respond within 24hrs by return e-mail or phone.

