

HOSE REEL MOUNTING RECOMMENDATIONS	71
RM-12 DOUBLE PEDESTAL DOUBLE ARM HOSE REELS	72
RM-12S SINGLE ARM ALUMINIUM HOSE REELS	73
RM-12CL INDIVIDUALLY ENCLOSED HOSE REELS	74
RM-12L HEAVY-DUTY HOSE REELS	75
RM-34 HEAVY-DUTY HOSE REELS	76
RM-100 HEAVY-DUTY LARGE CAPACITY HOSE REELS	77
RM-150 HEAVY-DUTY LARGE DELIVERY HOSE REELS	78
STAINLESS STEEL REEL AND COMPACT REELS FOR AIR AND CABLE	79
HOSE REEL KITS	80
HOSE REEL ACCESSORIES	83





SAMOA hose reels, used around the world, are designed to be premium quality fluid reels. Hose reels are adaptable to wall, floor or ceiling mounting, individually or in banks. They are available for high, medium and low pressure applications. Different hose capacities for maximum flexibility in selecting a hose reel assembly to match any specific need. SAMOA hose reels are designed with non-restrictive fluid passages and the right hose diameter for each application to provide the quickest material delivery.

SAMOA hose reels are spring-powered and self-retracting; a latch locks the reel at desired length and a slight pull releases latch, and the hose retracts smoothly onto reel. Hose guide arm can be placed in different positions to accommodate any method of mounting and allow hose to be automatically removed or retracted without kinking, reducing strain on hose and minimizing the possibility of hose damage.

REEL MASTER®

COMPRESSED AIR • WATER • DIESEL • LUBRICANTS • ANTIFREEZE • WINDSHIELD WASH • GREASE • AdBlue®/DEF®

ADVANTAGES OF THE USE OF HOSE REELS

- Increased productivity.
- Reduced wear and increased life of hoses.
- Simple hose handling and storage.
- Lower risk of accidents as hose reels keep hoses out of the floor.
- Work environment improvement.

ALL SAMOA REELS HAVE

- Superior power spring life. Special fatigue resistant steel spring guarantees long life and trouble free operation and provides even tension at every point, when pulling or retracting hose.
- HEAVY-DUTY ratchet, with large effective radial latching area for an easier and user-friendly operation.
- Metal arms, enclosures, base and spool are epoxy powder coated for increased wear resistance.
- SAMOA only uses high quality hoses, specially formulated for use in hose reels.

HOSE SPECIFICATIONS

Compressed air, low pressure water - SBR black rubber with single textile reinforcement braid and zinc plated fittings.

Oil, antifreeze solutions - NBR black rubber with single steel reinforcement steel braid and zinc plated fittings.

High pressure grease - NBR black rubber with single steel reinforcement high density braid and zinc plated fittings.

Windshield wash solutions, AdBlue®/DEF - EPDM hose with single textile reinforcement braid and stainless steel fittings.

High pressure water: SBR black rubber with single steel reinforcement braid and zinc plated fittings.

SAMOA offers a wide range of brackets, racks and stands for mounting hose reels. A properly installed hose reel has an inlet hose to prevent vibration transfer to the reel. A shut off valve is recommended at the inlet to allow the isolation of each reel for servicing.

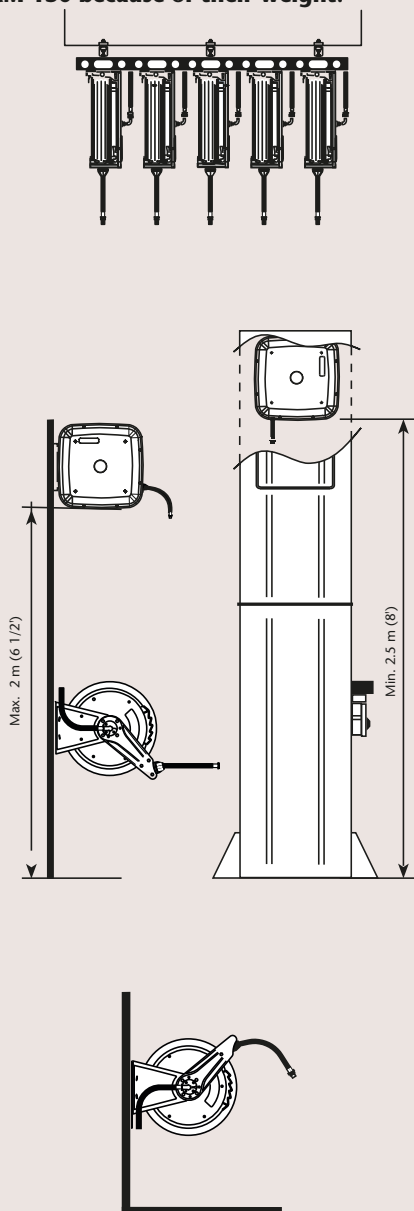
HOSE REEL MOUNTING RECOMMENDATIONS

- Install reels as high as possible when mounted to wall or ceiling. Minimum height from the lowest reel point to the floor must be 2.5 m (8').
- Always avoid lateral pulls of hose. In case they cannot be avoided, and for single reel installations, use a pivoting bracket.
- Hose reels allow positioning the hose outlet in different positions. Always choose the one that allows a tangential unwind of the hose.
- A shut off valve shall be installed at the inlet hose to allow the isolation of each reel for service purposes.

CEILING MOUNT

Use this position whenever the hose is pulled perpendicularly to the mounting surface. Typical use is when the reel is mounted to a ceiling, a hose reel stand 360 160 or 360 165, or inside lubrication pits. This position can also be used when the reel is mounted to a wall at a maximum height of 2 m. In these two cases the use of a pivoting bracket 360 111 is recommended to reduce torque when the reel is submitted to lateral pulls.

Position not valid for reels RM-100 and RM-150 because of their weight.

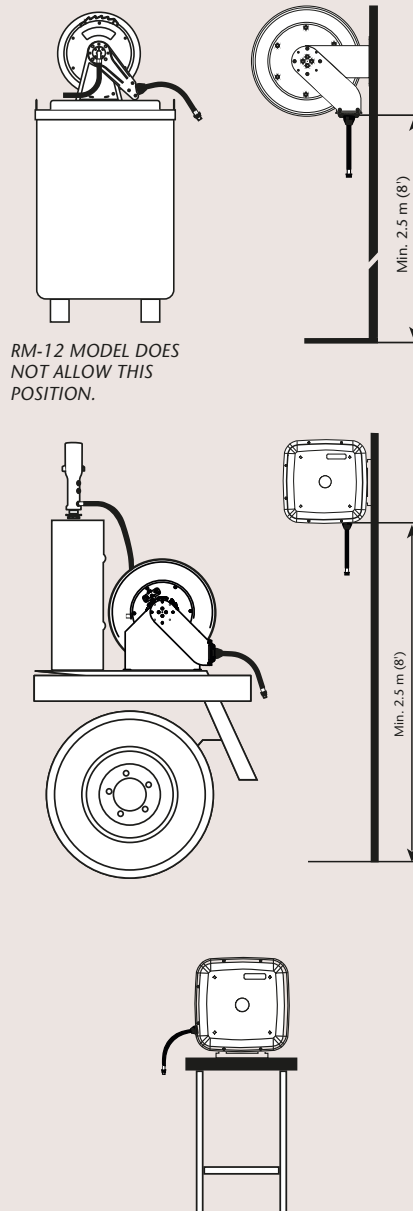


MOUNTING EXAMPLES FOR ALL RM-12 SERIES AND RM-34 REELS.

REAR ROLLER FLOOR MOUNT

Use this position whenever the hose is pulled tangentially to the mounting surface. Typical use are on lube trucks and tanks. When mounted to a wall, this position has the advantage that the hose lays close to the wall, it does not represent an obstacle and the torque on the outlet arm created when the hose is pulled laterally is minimum.

Because of their weight, RM-100 and RM-150 reels shall not be mounted to a wall.



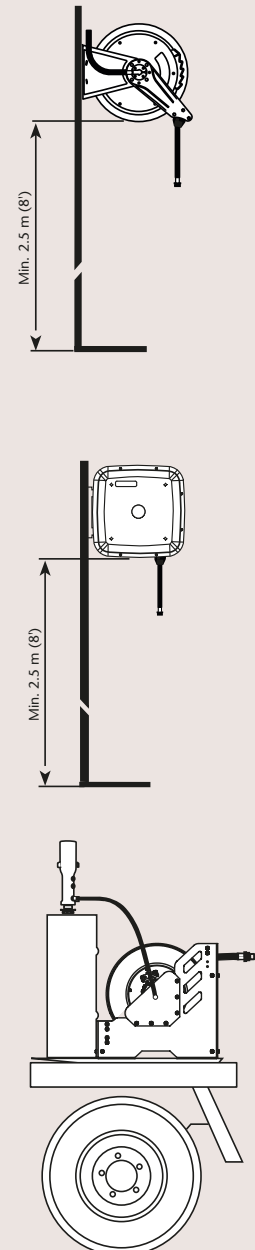
RM-12 MODEL DOES NOT ALLOW THIS POSITION.

MOUNTING EXAMPLES OF ALL RM-12 SERIES, RM-34 REELS, RM-100 AND RM-150 REELS.

SIDE ROLLER MOUNT

Use this position whenever the hose is pulled parallel to the mounting surface. Typical use are on tanks, lube trucks, workbenches, etc. It can also be mounted to a wall at a minimum height of 2.5 m – 8.20', however it might create an obstacle in the shop because the hose is further out from the wall. Additionally, increased torque on the arm with lateral pulls might require using a pivoting bracket 361 111.

Because of their weight, RM-100 and RM-150 reels shall not be mounted to a wall.



MOUNTING EXAMPLES OF ALL RM-12 SERIES, RM-34 REELS, RM-100 AND RM-150 REELS.

501 200

10 METERS MAXIMUM HOSE CAPACITY

Full metal hose reels, can handle up to 10 m x 1/2" hose.

FLUIDS HANDLED

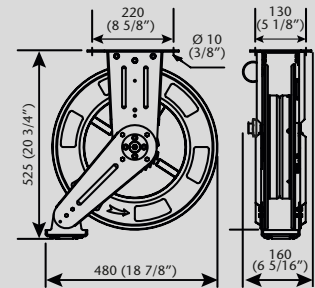
- Air.
- Water.
- Antifreeze Solutions.
- Synthetic and Mineral Oils.
- Grease.

MARKETS / APPLICATIONS

- Car and truck dealers.
- Service shops.
- General manufacturing.
- Service stations.
- Quick lubes.

MOUNTING

- Floor.
- Wall.
- Ceiling.
- Tank.



Dimensions mm (inches)

- Fatigue resistant steel spring for years of durable performance and even load when pulling and recoiling the hose.
- Full metal double pedestal arm construction, epoxy powder coated for increased wear resistance.
- Forged brass shaft ensures a leak free operation.
- Hose reels with hose include 0.8 m inlet hose.



Reel with arms in ceiling mounting position.

PART No.	BARE REEL	HOSE IN Ø	HOSE LENGTH	CONNECTING HOSE INLET	DELIVERY HOSE OUTLET	PRESSURE RATING	WEIGHT (With hose)
AIR - WATER - ANTIFREEZE SOLUTIONS							
501 100	501 198	3/8"	10 m	1/2" BSP (M)	1/4" BSPT (M)	20 bar	17.9 kg
MINERAL AND SYNTHETIC LUBRICANTS							
501 200	501 298	1/2"	10 m	1/2" BSP (M)	1/2" BSP (M)	160 bar	20 kg
GREASE							
501 300	501 398	1/4"	10 m	1/2" BSP (M)	1/4" BSP (M)	400 bar	19.2 kg

(1) Bare reels include hose stopper and adaptors for connecting flow delivery and inlet hoses.

15 METERS MAXIMUM HOSE CAPACITY

506 202

FLUIDS HANDLED

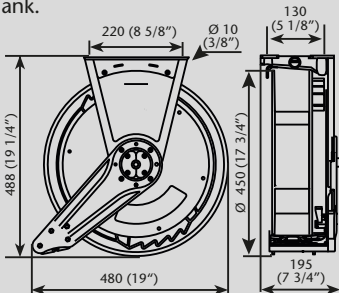
- Air.
- Water.
- Antifreeze and Windshield Wash Solutions.
- High Pressure Hot Water.
- Synthetic and Mineral Oils.
- AdBlue®/DEF.
- Grease.

MARKETS / APPLICATIONS

- Car and truck dealers.
- Service shops.
- Fleets.
- General manufacturing.
- Service stations.
- Lube trucks.
- Quick lubes.

MOUNTING

- Floor.
- Wall.
- Ceiling.
- Tank.



Dimensions mm (inches)

Aluminium base and arms with composite spool hose reels, can handle up to 15 m x 1/2" hose.



05

HOSE REELS

PART No.	BARE REEL	HOSE IN Ø	HOSE LENGTH	CONNECTING HOSE INLET	DELIVERY HOSE OUTLET	PRESSURE RATING	WEIGHT (With hose)
AIR - WATER - ANTIFREEZE SOLUTIONS							
506 101	506 910	3/8"	10 m	3/8" BSP (M)	3/8" BSP (M)	20 bar	12.1 kg
506 121	506 912	3/8"	15 m	3/8" BSP (M)	3/8" BSP (M)	20 bar	14.2 kg
506 122	506 919	1/2"	15 m	1/2" BSP (M)	1/2" BSP (M)	20 bar	14.9 kg
WINDSHIELD AND WINDSHIELD WASH SOLUTIONS - AdBlue®/DEF - DETERGENTS							
506 762	506 976	1/2"	10 m	1/2" BSP (M)	1/2" BSP (M)	20 bar	13 kg
506 782	506 978	1/2"	15 m	1/2" BSP (M)	1/2" BSP (M)	20 bar	15.5 kg
SYNTHETIC AND MINERAL OILS							
506 202	506 920	1/2"	10 m	1/2" BSP (M)	1/2" BSP (M)	160 bar	12.6 kg
506 222	506 922	1/2"	15 m	1/2" BSP (M)	1/2" BSP (M)	160 bar	14.9 kg
506 212*	506 921	1/2"	15 + 3 m	1/2" BSP (M)	1/2" BSP (M)	160 bar	15.7 kg
WASTE OIL SUCTION							
506 503	506 950	5/8"	6 m	1/2" BSP (M)	1/2" BSP (M)	Vacuum	13.3 kg
GREASE AND HYDRAULIC FLUID							
506 300	506 930	1/4"	10 m	1/4" BSP (M)	1/4" BSP (M)	400 bar	12.4 kg
506 301	506 934	3/8"	10 m	3/8" BSP (M)	1/4" BSP (M)	400 bar	12.9 kg
506 321	506 936	3/8"	15 m	3/8" BSP (M)	1/4" BSP (M)	400 bar	16 kg
506 311*	506 935	3/8"	15 + 3 m	3/8" BSP (M)	1/4" BSP (M)	400 bar	17 kg
HIGH PRESSURE HOT WATER (UP TO 100 °C)							
506 421	506 942	3/8"	15 m	3/8" BSP (M)	1/4" BSP (M)	170 bar	15.1 kg

*15 + 3 m models shall be need in installations allowing a minimum of 3 m of hose hanging from the reel.

- Aluminium base and guide arm provide the rigidity to withstand the most demanding applications while offering a reduced weight for easy installation.
- Fatigue resistant steel spring for years of durable performance and even load when pulling and recoiling the hose.
- Full port shaft and swivel for no restrictions.
- Spool mounted on two permanent lubricated and sealed ball bearings to reduce torque load on spring for smooth retraction and longer life.
- Large effective radial latching area for easier operation.
- Six roller guide outlet prevents hose pinching and reduces friction.
- Hose guide arm can be placed in different positions to accommodate any method of mounting.
- Hose reels with hose include 0.8 m inlet hose.



Reel with arms in ceiling mounting position.

507 202

15 METERS MAXIMUM HOSE CAPACITY

Aluminium enclosure with composite spool hose reels, can handle up to 15 m x 1/2" hose.

FLUIDS HANDLED

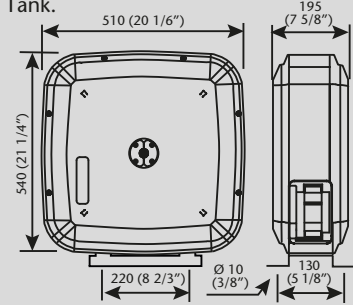
- Air.
- Water.
- Antifreeze and Windshield Wash Solutions.
- High Pressure Hot Water.
- Synthetic and Mineral Oils.
- AdBlue®/DEF.
- Grease.

MARKETS / APPLICATIONS

- Car and truck dealers.
- Service shops.
- Fleets.
- General manufacturing.
- Service stations.
- Lube trucks.
- Quick lubes.

MOUNTING

- Floor.
- Wall.
- Ceiling.
- Tank.



Dimensions mm (inches)



- Corrosion resistant aluminium enclosure form a very rigid and stable structure, with light weight and attractive design.
- Fatigue resistant steel spring for years of durable performance and even load when pulling and recoiling the hose.
- Full port shaft and swivel for no restrictions.
- Spool mounted on two permanent lubricated and sealed ball bearings to reduce torque load on spring for smooth retraction and longer life.
- Large effective radial latching area for easier operation.
- Positionable mounting brackets to accommodate any method of mounting.
- Two large lateral service windows facilitate common maintenance operations.
- Hose reels with hose include 0.8 m inlet hose.



Reel with arms in ceiling mounting position.

PART No.	BARE REEL	HOSE IN Ø	HOSE LENGTH	CONNECTING HOSE INLET	DELIVERY HOSE OUTLET	PRESSURE RATING	WEIGHT (With hose)
AIR - WATER - ANTIFREEZE SOLUTIONS							
507 101	507 910	3/8"	10 m	3/8" BSP (M)	3/8" BSP (M)	20 bar	18.4 kg
507 121	507 912	3/8"	15 m	3/8" BSP (M)	3/8" BSP (M)	20 bar	20.7 kg
507122	507 919	1/2"	15 m	1/2" BSP (M)	1/2" BSP (M)	20 bar	21.4 kg
WINDSHIELD AND WINDSHIELD WASH SOLUTIONS - AdBlue®/DEF - DETERGENTS							
507 762	507 976	1/2"	10 m	1/2" BSP (M)	1/2" BSP (M)	20 bar	19 kg
507 782	507 978	1/2"	15 m	1/2" BSP (M)	1/2" BSP (M)	20 bar	20.5 kg
SYNTHETIC AND MINERAL OILS							
507 202	507 920	1/2"	10 m	1/2" BSP (M)	1/2" BSP (M)	160 bar	18.9 kg
507 222	507 922	1/2"	15 m	1/2" BSP (M)	1/2" BSP (M)	160 bar	21.4 kg
507 212*	507 921	1/2"	15 + 3 m	1/2" BSP (M)	1/2" BSP (M)	160 bar	22.2 kg
WASTE OIL SUCTION							
507 503	507 950	5/8"	6 m	1/2" BSP (M)	1/2" BSP (M)	Vacuum	19.1 kg
GREASE AND HYDRAULIC FLUID							
507 300	507 930	1/4"	10 m	1/4" BSP (M)	1/4" BSP (M)	400 bar	18.8 kg
507 301	507 934	3/8"	10 m	3/8" BSP (M)	1/4" BSP (M)	400 bar	19.5 kg
507 321	507 936	3/8"	15 m	3/8" BSP (M)	1/4" BSP (M)	400 bar	22.6 kg
507 311*	507 935	3/8"	15 + 3 m	3/8" BSP (M)	1/4" BSP (M)	400 bar	23.6 kg
HIGH PRESSURE HOT WATER (UP TO 100 °C)							
507 421	507 942	3/8"	15 m	3/8" BSP (M)	1/4" BSP (M)	170 bar	22.2 kg

*15 + 3 m models shall be need in installations allowing a minimum of 3 m of hose hanging from the reel.

15 METERS MAXIMUM HOSE CAPACITY

504 250

FLUIDS HANDLED

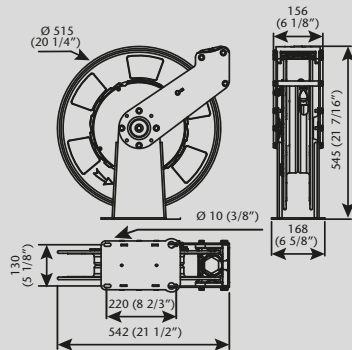
- Air.
- Water.
- Antifreeze and Windshield Wash Solutions.
- High Pressure Hot Water.
- Synthetic and Mineral Oils.
- Grease.

MARKETS / APPLICATIONS

- Car and truck dealers.
- Service shops.
- Fleets.
- Lube trucks.
- Mining and construction.
- Railroad and mass transit.
- General manufacturing.

MOUNTING

- Floor.
- Wall.
- Ceiling.
- Tank.



Dimensions mm (inches)

Full metal Intensive Duty double pedestal hose reels, with hose capacity up to 15 m x 1/2" hose.



- Very tough construction able to stand regular use and abuse in Intensive Duty applications.
- Fatigue resistant steel spring for years of durable performance and even load when pulling and recoiling the hose.
- Full port shaft and swivel for no restrictions.
- Spool mounted on two permanent lubricated and sealed ball bearings to reduce torque load on spring for smooth retraction and longer life.
- Large effective radial latching area for easier operation.
- Hose guide arm can be placed in different positions to accommodate any method of mounting.
- Narrow footprint allows accommodating more reels on the same surface.
- Hose reels with hose include 0.8 m inlet hose.



Reel with arms in ceiling mounting position.

PART No.	BARE REEL	HOSE IN Ø	HOSE LENGTH	CONNECTING HOSE INLET	DELIVERY HOSE OUTLET	PRESSURE RATING	WEIGHT (With hose)
AIR - WATER - ANTIFREEZE SOLUTIONS							
504 150	504 159	1/2"	15 m	1/2" BSP (M)	1/2" BSP (M)	20 bar	24 kg
SYNTHETIC AND MINERAL OILS							
504 250	504 259	1/2"	15 m	1/2" BSP (M)	1/2" BSP (M)	160 bar	24 kg
GREASE AND HYDRAULIC FLUID							
504 350	504 359.001	1/4"	15 m	1/4" BSP (M)	1/4" BSP (M)	400 bar	27.5 kg
504 351	504 359	3/8"	15 m	3/8" BSP (M)	1/4" BSP (M)	400 bar	26 kg
HIGH PRESSURE HOT WATER (UP TO 100 °C)							
504 450	504 459	3/8"	15 m	3/8" BSP (M)	1/4" BSP (M)	170 bar	26 kg

505 224

15 AND 20 METERS MAXIMUM HOSE CAPACITY

Full metal, Intensive Duty double pedestal hose reels with hose capacity up to 15 m x 3/4" and 20 m x 1/2" hose.

FLUIDS HANDLED

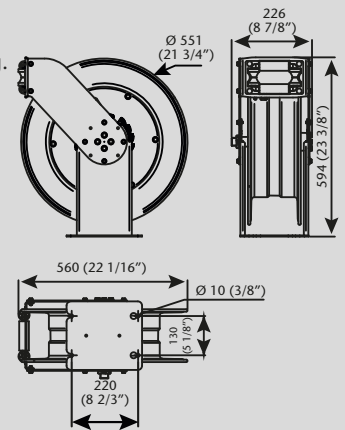
- Air.
- Water.
- Antifreeze and windshield wash solutions.
- Synthetic and mineral oils.
- AdBlue®/DEF.
- Waste Oil Evacuation.
- Diesel.
- Grease.

MARKETS / APPLICATIONS

- Truck dealers.
- Service shops.
- Fleets.
- Lube trucks.
- Mining and construction.
- Railroad and mass transit.
- General manufacturing.

MOUNTING

- Floor.
- Wall.
- Ceiling.
- Tank.



Dimensions mm (inches)

- Very tough construction able to stand regular use and abuse in Intensive Duty applications.
- Fatigue resistant steel spring for years of durable performance and even load when pulling and recoiling the hose.
- Full port shaft and swivel for no restrictions.
- Spool mounted on two permanent lubricated and sealed ball bearings to reduce torque load on spring for smooth retraction and longer life.
- Large effective radial latching area for easier operation.
- Hose guide arm can be placed in different positions to accommodate any method of mounting.
- Narrow footprint allows accommodating more reels on the same surface.
- Hose reels with hose include 0.8 m inlet hose.

PART No.	BARE REEL	HOSE IN Ø	HOSE LENGTH	CONNECTING HOSE INLET	DELIVERY HOSE OUTLET	PRESSURE RATING	WEIGHT (With hose)
AIR - WATER - ANTIFREEZE SOLUTIONS - DIESEL - LUBRICANTS							
505 232	505 932	1/2"	20 m	3/4" BSP (F)	1/2" BSP (M)	160 bar	36 kg
505 224	505 924	3/4"	15 m	3/4" BSP (M)	3/4" BSP (M)	125 bar	38 kg
AdBlue®/DEF - WINDSHIELD WASH SOLUTIONS - WASHING SOLUTIONS							
505 524	505 529	3/4"	15 m	3/4" BSP (F)	3/4" BSP (F)	20 bar	39 kg
GREASE AND HYDRAULIC FLUID							
505 332	505 339	1/2"	20 m	1/2" BSP (M)	1/2" BSP (M)	400 bar	39 kg

05

HOSE REELS

15, 20, 25 AND 30 METERS MAXIMUM HOSE CAPACITY

508 225

FLUIDS HANDLED

- Air.
- Water.
- Antifreeze solutions.
- Synthetic and mineral oils.
- Waste Oil Evacuation.
- Diesel.

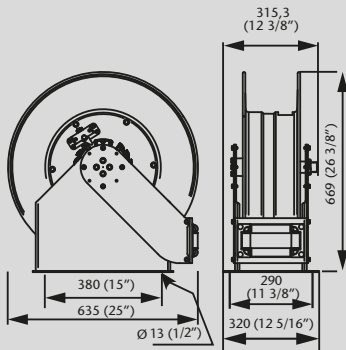
MARKETS / APPLICATIONS

- Fleets.
- Lube trucks.
- Mining and construction.
- Railroad and mass transit.
- General manufacturing.

MOUNTING

- Floor.
- Tank.

Full metal, Intensive Duty, double pedestal hose reels, with hose capacity up to 15 m x 1", 20 m or 25 m x 3/4" hose and 30 m x 1/2" hose.



Dimensions mm (inches)



05

HOSE REELS

PART No.	BARE REEL	HOSE IN Ø	HOSE LENGTH	CONNECTING HOSE INLET	DELIVERY HOSE OUTLET	PRESSURE RATING	WEIGHT (With hose)
AIR - WATER - ANTIFREEZE SOLUTIONS - DIESEL							
508 125	508 925	1"	15 m	1" BSP (F)	1" BSP (F)	25 bar	50 kg
LUBRICANTS - WASTE OIL EVACUATION							
508 225	508 925	1"	15 m	1" BSP (F)	1" BSP (F)	90 bar	56 kg
508 234	508 924	3/4"	20 m	1" BSP (F)	3/4" BSP (F)	100 bar	55 kg
508 244	508 944	3/4"	25 m	1" BSP (F)	3/4" BSP (F)	100 bar	57 kg
508 252	508 942	1/2"	30 m	1" BSP (F)	1/2" BSP (F)	160 bar	55 kg

- Very tough construction large capacity reels, able to stand regular use and abuse in Intensive Duty applications.
- Fatigue resistant steel spring for years of durable performance and even load when pulling and recoiling the hose.
- Full port shaft and swivel for no restrictions.
- Spool mounted on two permanent lubricated and sealed ball bearings to reduce torque load on spring for smooth retraction and longer life.
- Large effective radial latching area for easier operation.
- Hose guide arm can be placed in different positions to accommodate any method of mounting.
- Narrow footprint allows accommodating more reels on the same surface.
- Hose reels with hose include 0.8 m inlet hose.

508 810

15 METERS MAXIMUM HOSE CAPACITY

Full metal, Intensive Duty, hose reel with hose capacity up to 15 m x 1-1/2" hose.

FLUIDS HANDLED

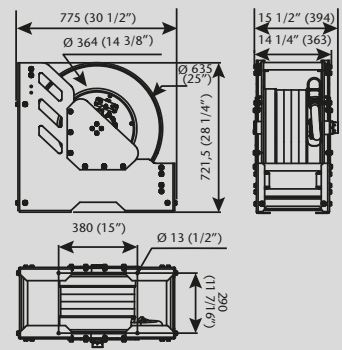
- Water.
- Diesel.

MARKETS / APPLICATIONS

- Fleets.
- Lube trucks.
- Mining and construction.
- Railroad and mass transit.
- General manufacturing.

MOUNTING

- Floor.
- Tank.



Dimensions mm (inches)



- Very tough construction large delivery reels, able to stand regular use and abuse in Intensive Duty applications.
- Fatigue resistant steel spring for years of durable performance and even load when pulling and recoiling the hose.
- Full port shaft and swivel for no restrictions.
- Spool mounted on two permanent lubricated and sealed ball bearings to reduce torque load on spring for smooth retraction and longer life.
- Large effective radial latching area for easier operation.
- Hose guide arm can be placed in two different positions to accommodate any method of mounting.
- Narrow footprint allows accommodating more reels on the same surface.

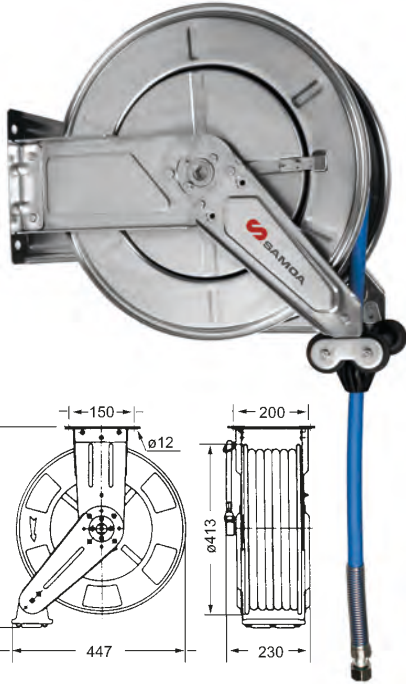
PART No.	BARE REEL	HOSE IN Ø	HOSE LENGTH	CONNECTING HOSE INLET	DELIVERY HOSE OUTLET	PRESSURE RATING	WEIGHT (With hose)
WATER - DIESEL							
508 810	508 890	1-1/2"	15 m	1-1/2" BSP (F)	1-1/2" BSP (F)	20 bar	87 kg

SAINLESS STEEL REEL AND COMPACT REELS FOR AIR AND CABLE



503 120

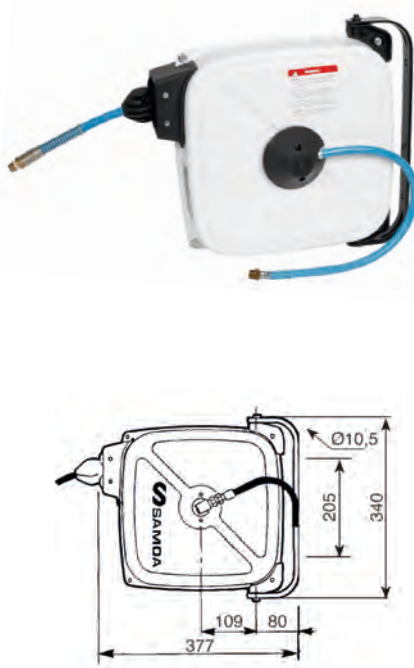
Stainless steel hose reels (AISI 304) for air, water and corrosive fluids. Ideal for food industry. 0.8 m inlet hose included.



Dimensions mm:

500 115

Compact enclosed reels for compressed air, manufactured in steel. All reels include pivoting wall bracket for an easy and convenient installation. Reels are supplied with PVC hose and they have a maximum working pressure of 15 bar (285 psi).



Dimensions mm

612 400

Compact reels with high resistance thermoplastic enclosure. Compact design, with wide outlet for a comfortable and friction free cable extension. All reels include pivoting bracket, cable specified for each model, and cable overload breaker. For use with 230 V - 50 Hz only.



Dimensions mm

05

HOSE REELS

RM-12SS STAINLESS STEEL HOSE REELS

503 120 Stainless steel hose reel, 20 m x 1/2" hose

Hose reel for low pressure, air and water (up to 80 °C). Food industry. Inlet thread: 1/2" BSP (M). Outlet thread 1/2" BSP (M). Maximum working pressure: 10 bar.

503 400 Stainless steel hose reel, 20 m x 3/8" hose

Hose reel for high pressure air and water (up to 150 °C). Food industry. Inlet thread: 1/2" BSP (M). Outlet thread 3/8" BSP (M). Maximum working pressure: 250 bar.

COMPACT REELS FOR AIR RM-38 SERIES

500 115 Compact hose reel for air 15 m x 8 mm hose

Compact reel for air with 15 m x 8 mm hose. Includes 0.8 m inlet hose and pivoting bracket. Inlet thread: 3/8" BSP (M). Outlet thread: 1/4" BSP (M). Working pressure: 15 bar.

500 116 Compact hose reel for air 12 m x 10 mm hose

Compact reel for air with 12 m x 10 mm hose. Includes 0.8 m inlet hose and pivoting bracket. Inlet thread: 3/8" BSP (M). Outlet thread: 3/8" BSP (M). Working pressure: 15 bar.

CABLE REELS - RM-POWER SERIES

612 400 - 230 V, 50 Hz cable reel with 230 VAC to 24 VDC transformer with LED lamp

15 m H05RN-F 2x1 mm² cable hose reel. Includes a 230 VAC to 24 VDC transformer and a 900 LUMEN LED light.

612 100 - 230 V, 50 Hz cable reel

Includes 15 m H05VV-F 3x1,5 mm² cable, 230 V - 50 Hz. Maximum power: 800 W with the cable coiled and 2,000 W with the cable fully extended because of heat dissipation.

612 200 - 230 V, 50 Hz cable reel with 230 VAC to 24 VDC transformer

Includes 15 m H05VV-F 2x1 mm² cable. Maximum power: 60 W Includes a 230 VAC to 24 VDC transformer. For use with an E27 24 VDC lamp (lamp not included).

612 300 - 230 V, 50 Hz cable reel with 230 VAC to 12 VDC transformer

Includes 15 m H05VV-F 2x1 mm² cable. Maximum power: 60 W Includes a 230 VAC to 12 VDC transformer. For use with an E27 12 VDC lamp (inspection lamp included, bulb not included).

HOSE REEL KITS

511 255

DOUBLE PEDESTAL, DOUBLE ARM HOSE REELS, RM-12 SERIES



PART No.	HOSE REEL INCLUDED	HOSE	CONTROL GUN
COMPRESSED AIR			
511 101	501 100	10 m x 3/8"	Air coupling
LOW PRESSURE WATER			
511 150	501 200	10 m x 1/2"	Low pressure water gun
OIL - ANTIFREEZE			
511 200	501 200	10 m x 1/2"	Oil control gun (363 115)
511 255	501 200	10 m x 1/2"	Hose end meter (365 535)
511 252	501 200	10 m x 1/2"	Preset hose end meter (365 300)
GREASE			
511 300	501 300	10 m x 1/4"	Grease control gun with z swivel (413 080)

05

HOSE REELS

513 259

HEAVY-DUTY HOSE REELS, RM-12L SERIES



PART No.	HOSE REEL INCLUDED	HOSE	CONTROL GUN
COMPRESSED AIR			
513 154	504 150	15 m x 1/2"	Air coupling
LOW PRESSURE WATER			
513 155	504 150	15 m x 1/2"	Low pressure water gun
OIL - ANTIFREEZE			
513 248	504 250	15 m x 1/2"	Oil control gun (363 115)
513 259	504 250	15 m x 1/2"	Hose end meter (365 535)
513 249	504 250	15 m x 1/2"	Preset hose end meter (365 300)
GREASE			
513 350	504 350	15 m x 1/4"	Grease control gun with z swivel (413 080)

515 201

HEAVY-DUTY HOSE REELS, RM-34 SERIES



PART No.	HOSE REEL INCLUDED	HOSE	CONTROL GUN
OIL			
515 216	505 232	20 m x 1/2"	Oil control gun (363 115)
515 214	505 232	20 m x 1/2"	Hose end meter (365 535)
515 215	505 232	20 m x 1/2"	Preset hose end meter (365 300)
OIL - DIESEL			
515 210	505 224	15 m x 3/4"	Hose end meter (365 535)
515 201	505 224	15 m x 3/4"	High delivery hose end meter (365 653)
515 213	505 224	15 m x 3/4"	Preset hose end meter (365 300)

HOSE REEL KITS

SINGLE ARM HOSE REEL, RM-12S SERIES

PART No.	HOSE REEL INCLUDED	HOSE	CONTROL GUN
COMPRESSED AIR			
516 101	506 101	10 m x 3/8"	Air coupling control gun
516 121	506 121	15 m x 3/8"	Air coupling control gun
516 122	506 122	15 m x 1/2"	Air coupling control gun
LOW PRESSURE WATER			
516 150	506 101	10 m x 3/8"	Low pressure water gun
516 151	506 122	15 m x 3/8"	Low pressure water gun
516 152	506 122	15 m x 1/2"	Low pressure water gun
OIL			
516 202	506 202	10 m x 1/2"	Oil control gun (363 115)
516 242	506 202	10 m x 1/2"	Hose end meter (365 535)
516 252	506 202	10 m x 1/2"	Preset hose end meter (365 300)
516 222	506 222	15 m x 1/2"	Oil control gun (363 115)
516 272	506 222	15 m x 1/2"	Hose end meter (365 535)
516 282	506 222	15 m x 1/2"	Preset hose end meter (365 300)
516 212	506 212	18 m x 1/2"	Oil control gun (363 115)
516 213	506 212	18 m x 1/2"	Hose end meter (365 535)
516 214	506 212	18 m x 1/2"	Preset hose end meter (365 300)
ANTIFREEZE - AIR - WATER			
516 262	506 202	10 m x 1/2"	Fluid control gun (186 300)
516 292	506 222	15 m x 1/2"	Fluid control gun (186 300)
516 215	506 212	18 m x 1/2"	Fluid control gun (186 300)
WINDSHIELD WASHER - DEGREASERS (STAINLESS STEEL SHAFT AND SWIVEL)			
516 602	506 602	10 m x 1/2"	Fluid control gun (186 300)
516 622	506 622	15 m x 1/2"	Fluid control gun (186 300)
GREASE			
516 300	506 300	10 m x 1/4"	Grease control gun (413 080)
516 321	506 321	15 m x 3/8"	Grease control gun (413 080)



516 202



516 300

HOSE REEL KITS

ENCLOSED HOSE REEL, RM-12CL SERIES



517 202



517 300

PART No.	HOSE REEL INCLUDED	HOSE	CONTROL GUN
COMPRESSED AIR			
517 101	507 101	10 m x 3/8"	Air coupling
517 121	507 121	15 m x 3/8"	Air coupling
517 122	507 122	15 m x 1/2"	Air coupling
LOW PRESSURE WATER			
517 150	507 101	10 m x 3/8"	Low pressure water gun
517 151	507 121	15 m x 3/8"	Low pressure water gun
517 152	507 122	15 m x 1/2"	Low pressure water gun
OIL			
517 202	507 202	10 m x 1/2"	Oil control gun (363 115)
517 242	507 202	10 m x 1/2"	Hose end meter (365 535)
517 252	507 202	10 m x 1/2"	Preset hose end meter (365 300)
517 222	507 222	15 m x 1/2"	Oil control gun (363 115)
517 272	507 222	15 m x 1/2"	Hose end meter (365 535)
517 282	507 222	15 m x 1/2"	Preset hose end meter (365 300)
517 212	507 212	15 m x 1/2"	Oil control gun (363 115)
517 213	507 212	15 m x 1/2"	Hose end meter (365 535)
517 214	507 212	15 m x 1/2"	Preset hose end meter (365 300)
ANTIFREEZE - AIR - WATER			
517 262	507 202	10 m x 1/2"	Fluid control gun (186 300)
517 292	507 222	15 m x 1/2"	Fluid control gun (186 300)
517 215	507 212	15 m x 1/2"	Fluid control gun (186 300)
WINDSHIELD WASHER - DEGREASERS (STAINLESS STEEL SHAFT AND SWIVEL)			
517 602	507 602	10 m x 1/2"	Fluid control gun (186 300)
517 622	507 622	15 m x 1/2"	Fluid control gun (186 300)
GREASE			
517 300	507 300	10 m x 1/4"	Grease control valve & z swivel (413 080)
517 321	507 321	15 m x 3/8"	Grease control valve & z swivel (413 080)

HOSE REEL ACCESSORIES



360 111 - 360 119



SINGLE REEL BRACKETS

For use with all RM-12 and RM-34 hose reels.

360 111 Pivoting wall bracket

360 110 Stainless Steel pivoting wall bracket

For RM-12SS hose reel.

360 119 Single reel bracket.

360 113 One reel bracket for 432 814 trolley

Not for RM-34 hose reels.

360 135 One reel bracket for 432 000 trolley

Not for RM-34 hose reels.

360 117



MULTIPLE REELS BRACKET

For use with all RM-12 hose reels.

360 114, 2 hose reel bracket

Dimensions: 550 x 308 x 75 mm.

360 115, 3 hose reel bracket

Dimensions 825 x 308 x 75 mm.

360 117, 5 hose reel bracket

Dimensions 1,375 x 308 x 75 mm.

360 118 Bracket for I beams

Allow fixing a multiple reel bracket

to an "I" beam (100/175 mm)

without drilling. Two are required

for the two and three reel bracket

and three for the five reel bracket.

360 122



DRIP POCKETS

360 122 Drip pocket

360 127 Drip pocket and gun holder

360 127



360 161



TWO HOSE REEL STAND

360 161 Two hose reel stand

For use with any pair of RM-12 hose reels. Height: 2,375 mm.

360 162



THREE HOSE REEL STAND

360 162 Three hose reel stand

For use with all RM-12 models, includes drip tray. Dimensions: 1,200 x 400 x 2,220 mm.

05

HOSE REELS

360 163

360 160



FIVE HOSE REEL STAND

SIX HOSE REEL STAND

360 163 Five hose reel stand

For use with all RM-12 reel models, includes drip tray.

Dimensions: 1,750 x 400 x 2,220 mm.

Very solid construction, allows mounting six RM-12 or RM-34 hose reels depending on models. Two extra reels can be mounted using the optional accessory. Six reel stands include perforated internal side panels and drip tray.

360 160 Six reel stand

Narrow model for use with RM-12, RM-12S, RM-12L reels.

Dimensions: 1,543 x 760 x 2,600 mm.

360 165 Six reel Heavy Duty stand

Wide model for use with RM-12CL and RM-34 reels.

Dimensions: 1,972 x 760 x 2,600 mm.



360 160

360 165

SIX HOSE REEL STANDS ACCESSORIES

For use with 360 160 and 360 165 stands as mentioned.

360 164 Height extension kit

The kit allows rising 500 mm the stand height. For use with 360 160 and 360 165 stands.

360 166 Additional bracket for two hose reel

The additional bracket allows mounting two additional hose reels on one side of a six reel stand 360 160 and 360 165.

360 168 Additional drip tray

For use on one side of a six reel stand 360 160 and 360 165 when equipped with the 360 166 additional bracket.

736 229 Drawers kit

The kit allows mounting two drawers with lock to the six reel stand 360 160.