

**Metering valves (dynamic) serve for the volumetric delivery of the lubricant to the lubrication points. For exact metering, they must be pulsed by the central lubrication pump concerned. Against contamination of the metering valves and the lubrication points, a fine mesh filter is installed on the input side.**

**Metering valves are provided with a special seat and seal (without additional sealant) metallic in the manifold.**

**Lubricating lines made of polyamide, aluminum, CU, steel tube can be used.**

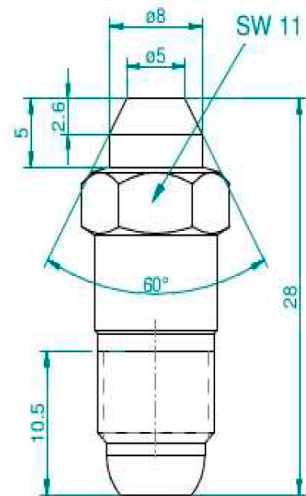
#### Technical specifications:

Operating pressure max.:	100 bar
Working pressure:	18 bar
Max. Perm. Residual pressure upstream of the valve:	2 bar
(Main residual pressure)	
Housing - Material:	Food quality Stainless steel
Operating temperature range:	-30 ° C to +120 ° C
Viscosity range:	10 to 1500 mm <sup>2</sup> / s
Flow greases (after valid approval):	DIN 51818 NLGI class 000



#### Tightening rotation angle

Metering valves (oiled): hand-tight plus 90 °



description	model series	metering quantity [mm <sup>3</sup> / stroke]	Suitable for medium	weight [kg / 100 pieces]	Article no.
<b>Metering valve 5</b>	Small	5	Oil without adhesive additive	1,4	2.80 99 05.9
<b>Metering valve 10</b>	Small	10	Oil without adhesive additive	1,4	2.80 99 10.9
<b>Metering valve 25</b>	Small	25	Oil without adhesive additive	1,4	2.80 99 25.9
<b>Metering valve 50</b>	Small	50	Oil without adhesive additive	1,4	2.80 99 50.9