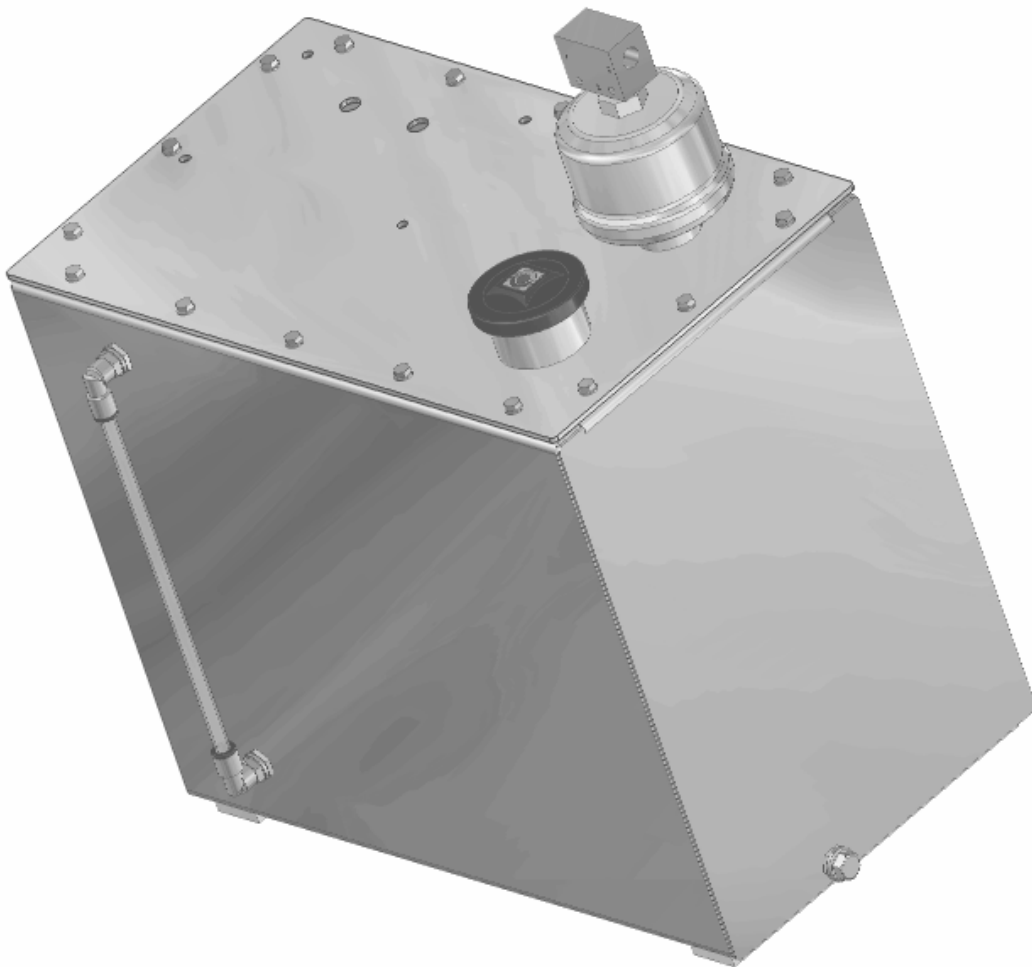


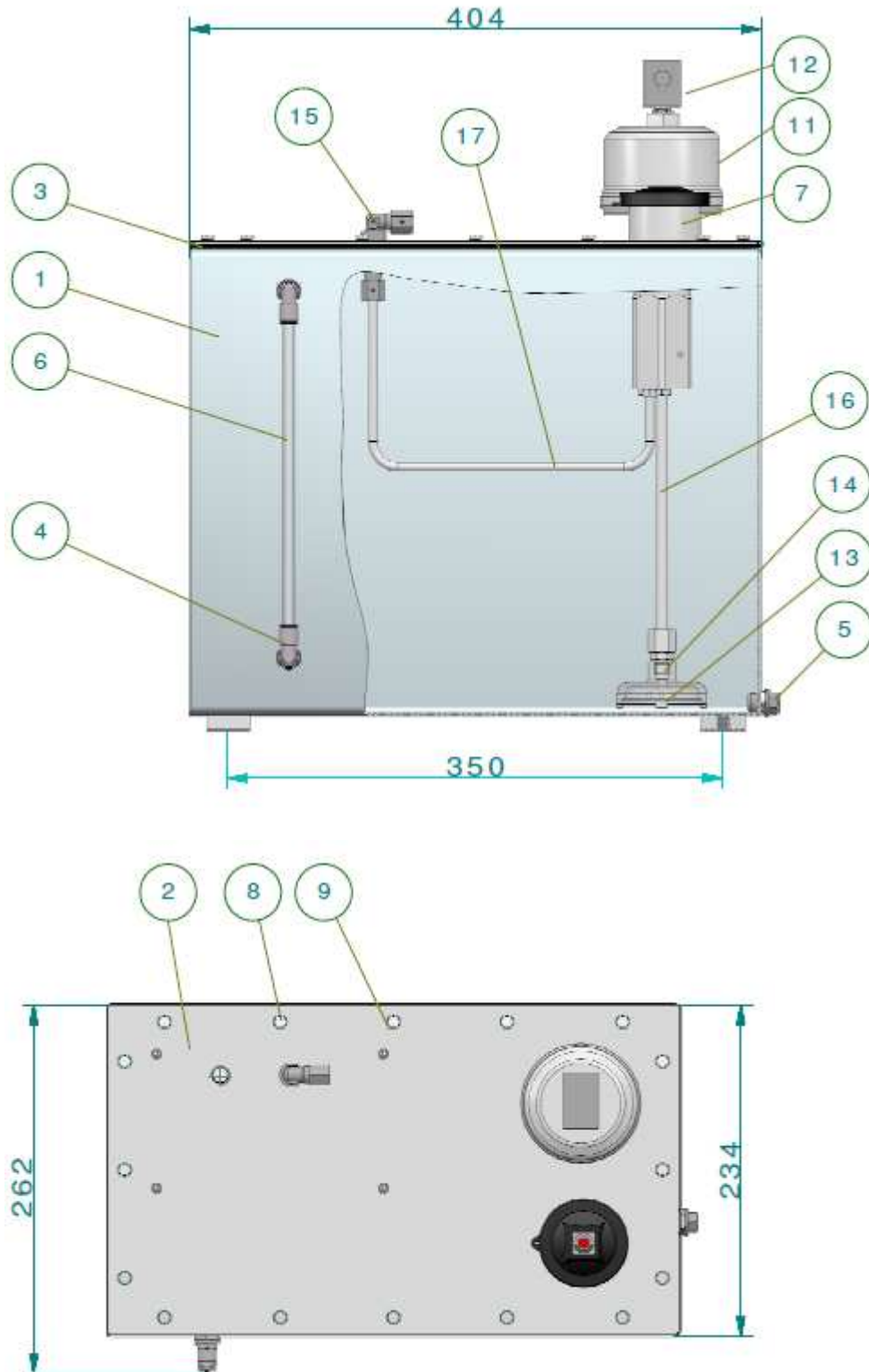
Container 30 ltr with pump 10 P (article number: 9.00 71.9)

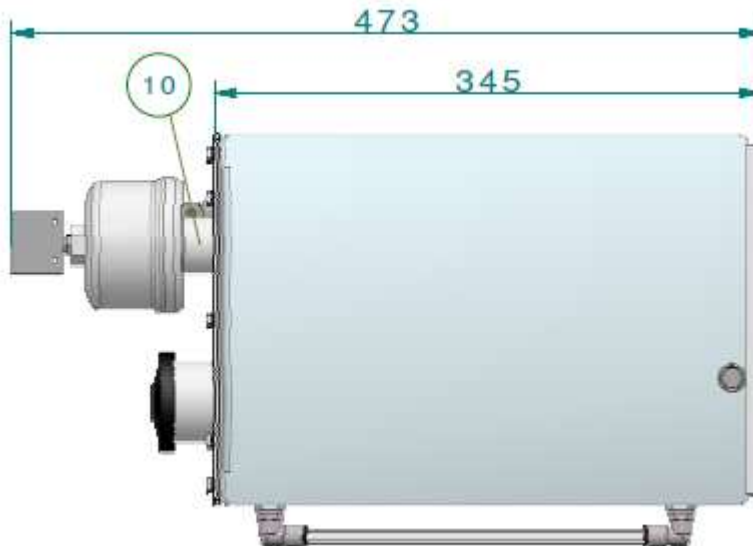
**Stainless steel tank 30 ltr. with pump 10 P, level indicator and filler neck all stainless steel**

**Technical specifications:**

Content:	30 liters
Material housing + lid:	Stainless steel 1.4301
Seal Lid:	Silicone FDA 21 CFR 177.2600
Seal Thread Plug:	PTFE FDA 21 CFR177.1615
Indicator tube:	PU-H FDA 21 CFR 177.2600
Elbow fitting for level indication:	POM FDA 21 CFR 177.2470 EPDM FDA 21 CFR 177.2600







Pos	Quantity	Unit	Designation	Item number	material
1	1	Piece	Welded container	9.00 60.9	Stainless steel
2	1	Piece	Lid	9.00 64.9	Stainless Steel
3	1	Piece	Gasket complete	9.00 67.1	Silicone
4	2	Piece	Elbow push-in fitting Ø8 ¼"	9.00 68.1	POM
5	1	Piece	Sealing plug	4.51 34.9	Stainless Steel
6	0,238	m	PU-H hose 8x1.25 transparent	3.06 74.1	PU-H
7	1	Piece	Filler neck incl. O- ring, retaining ring and cap	4.51 40.9 + 5.25 41.1 + 5.01 50.9 + 4.53 01 25.2	Stainless Steel + NBR + PA12
8	16	Piece	Hexagon screw M5x10	4.71 05.9	Stainless Steel
9	16	Piece	Washer Ø5.3	5.66 05.9	Stainless Steel
10	1	Piece	pump 10 G	3.01 41 19.9	Stainless Steel
11	1	Piece	Pneumatic cylinder	3.00 32 10.1	AlMgSi1
12	1	Piece	Quick exhaust valve	1.32 17.1	Aluminium
13	1	Piece	Sieve	4.59 10 70.9	Stainless Steel
14	1	Piece	Sieve bell	2.77 03 30.9	Stainless Steel
15	1	Piece	Elbow bulkhead fitting 6-L	3.83 26.9	Stainless Steel
16	0,2	m	Pipe Ø8	4.36 04 10.9	Stainless Steel
17	0,4	m	Pipe Ø6	3.01 61.9	Stainless Steel