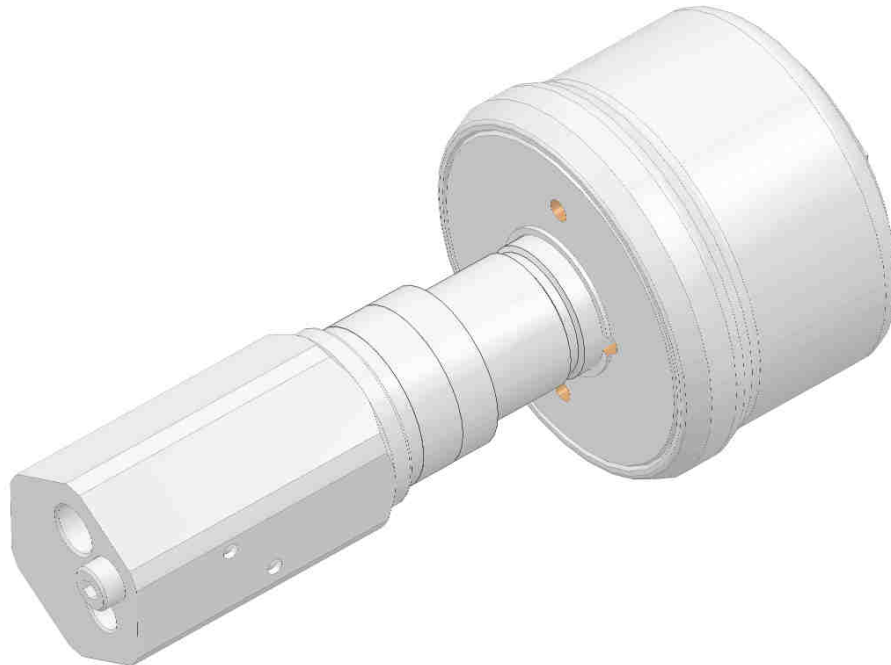


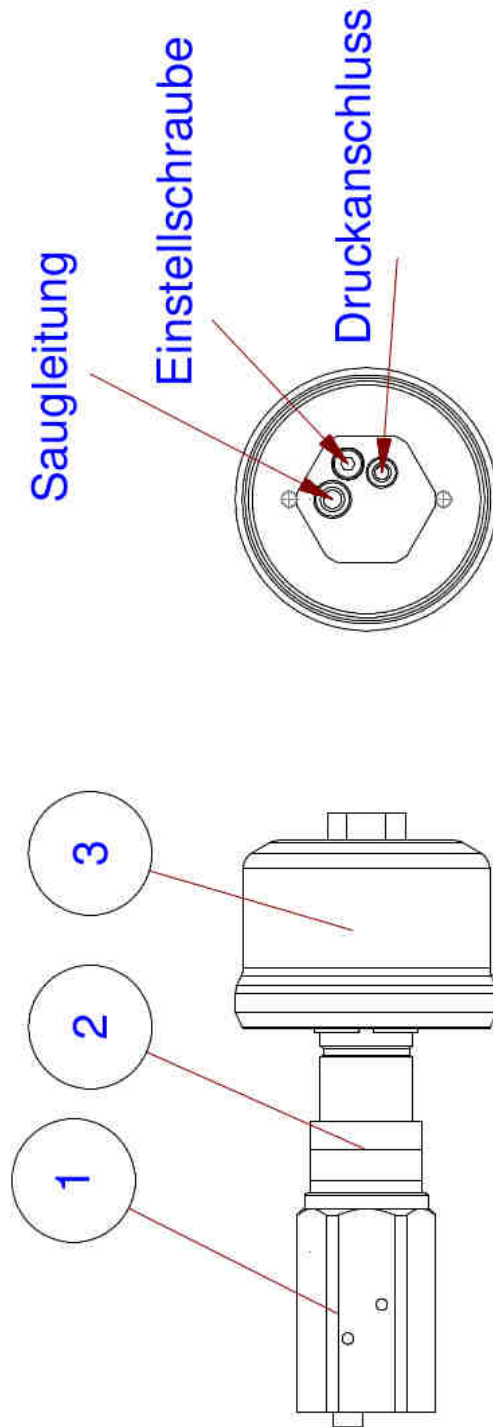
**Pump 10 P (article number: 1.41 11 00.9)**

**Valve-controlled reciprocating pump with pneumatic driving cylinder for installation or directly attached construction, as well as for delivery from external lubricant reservoirs.**

**Technical data:**

pump capacity:	10 cm <sup>3</sup> per stroke
max. working overpressure (PB):	80 bar
hydraulic residual pressure:	1 bar
allowed working temperature:	-25°C bis +80°C
viscosity range at working temp.: (grease according to consultation)	10 bis 5000 mm <sup>2</sup> / sec.
max. suction height single pump:	2m
fitting position:	any, but preferably vertical (main pipe connector at the top)
max. main pipe length total:	steel pipe 50m Tecalán - pipe 20m
longest duct:	10m
pneumatic operating pressure:	4-8 bar
pressure intensifier (air : lubricant):	1:9 (mean value)
volume consumption of the pneumatic driving cylinder:	110 cm <sup>3</sup> per stroke





1	2	3	4	5	6	7	8
Pos	Menge	Einheit	Benennung	Artikelnummer	DIN	Material	Lieferant
1	1	Stück	Steuerkopf	4.31 08 24.9		Edelstahl	
2	1	Stück	Pumpenzylinder	4.56 18 56.9		Edelstahl	
3	1	Stück	Pneumatik-Zylinder D 70 Alu	3.00 32 10.1		Aluminium	